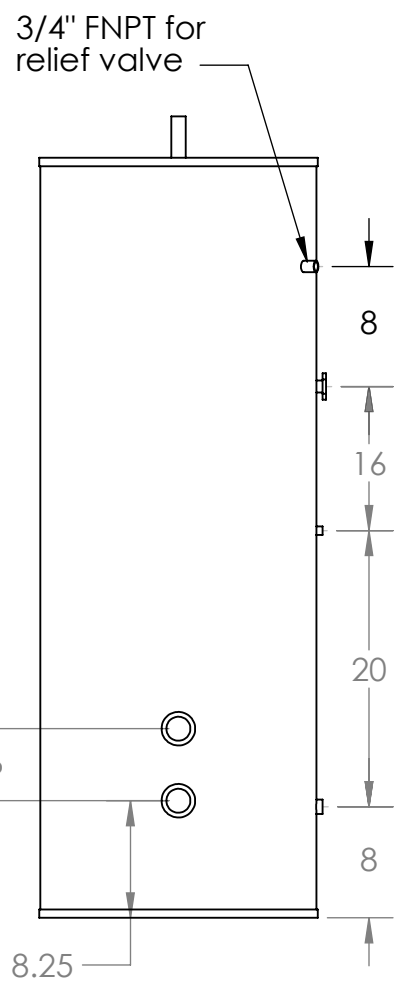


Ø21

54.25

60



3/4" FNPT for relief valve

8

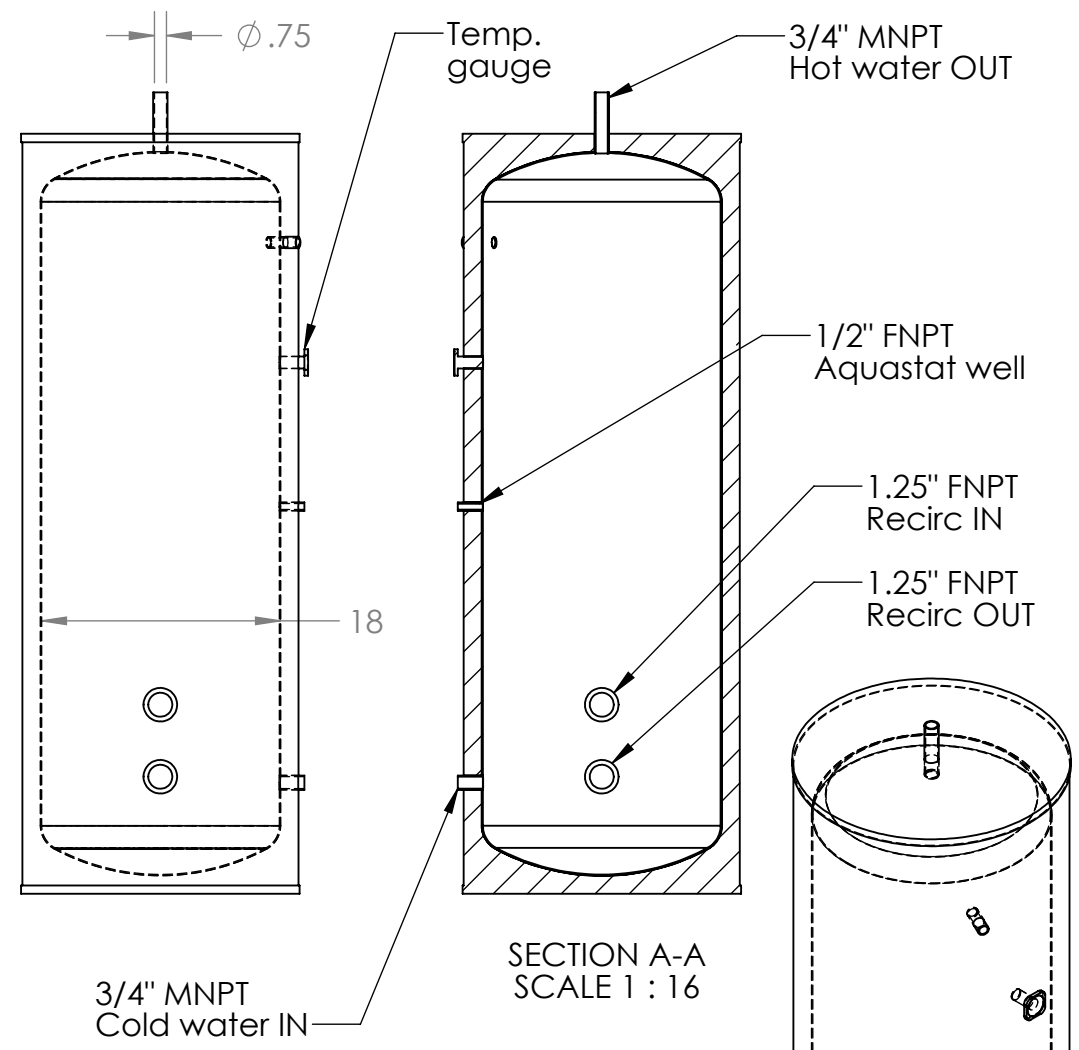
16

20

8

6

8.25



Ø.75

Temp. gauge

3/4" MNPT Hot water OUT

1/2" FNPT Aquastat well

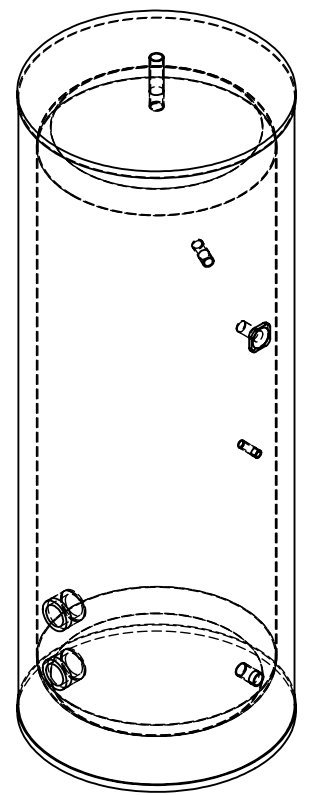
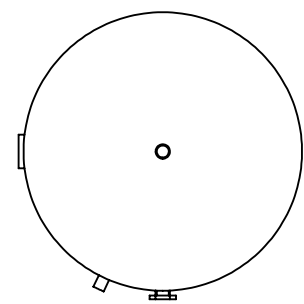
1.25" FNPT Recirc IN

1.25" FNPT Recirc OUT

18

3/4" MNPT Cold water IN

SECTION A-A  
SCALE 1 : 16



TUNSTALL ST60-NC

